

SPECIFICATIONS

WF138WA02 / WF138WA04, 5½" mid/woofers

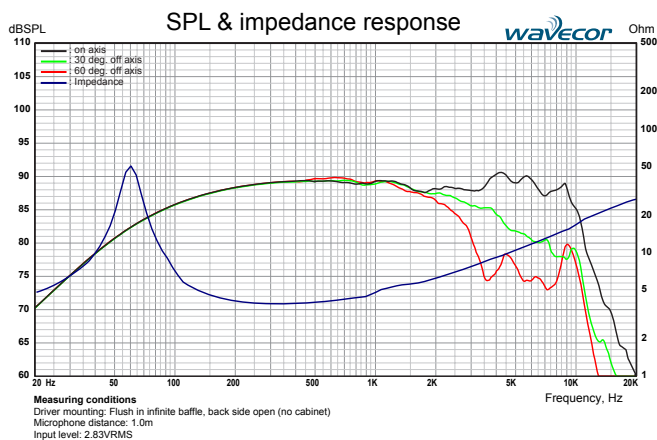
WF138WA02 (4 ohm version) and WF138WA04 (8 ohm version) are mid/woofers designed for demanding bass and midrange applications. They function equally well for high-end hi-fi, high quality home theater systems, and top multimedia setups. Powering is by a large 90mm ferrite magnet structure that ensures good efficiency and optimal T/S parameters. The 32mm voice coil and large magnet mass/surface ensure high power handling - thermally and mechanically. A special dynamic linearization short-circuiting ring reduces distortion at high levels. The optimized paper cone ensures large bandwidth and low distortion. Distortion is further reduced by efficient venting of chassis and voice coil. Minimal mechanical losses ensure unusual detail and dynamics. WF138WA02/04 is the obvious choice for compact high-end 2-way speaker systems.



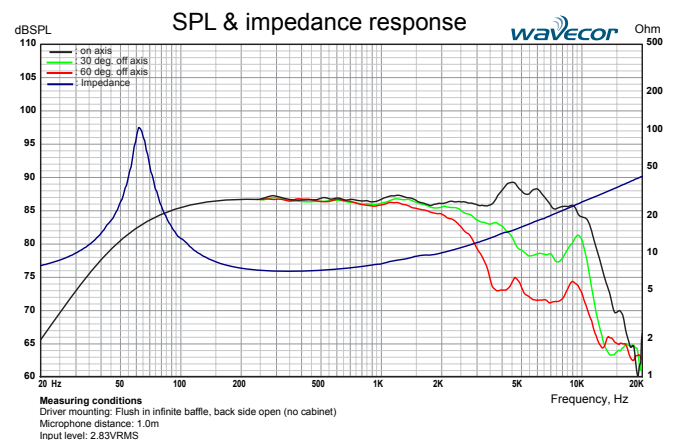
FEATURES

- Very powerful 90mm ferrite motor for optimal control and dynamic performance
- Vented voice coil former for reduced distortion and compression
- Vented chassis for lower air flow speed reducing audible distortion
- Built-in alu stabilizing ring for reduced high-level distortion by reducing variations in the magnetic field
- Heavy-duty black fiber glass voice coil bobbin to increase power handling and reduce mechanical losses resulting in better dynamic performance and low-level details
- Large motor system with 1¼" voice coil diameter and powerful magnet for better control and efficiency
- Long linear stroke motor for reduced distortion at high levels
- Linear suspension with specially designed CONEX damper (spider) for long durability under extreme operating conditions
- Gold plated terminals to prevent oxidation for long-term reliable connection

Parameter	Value, WF138WA02/WF138WA04	Unit
Nominal size	5½	[inch.]
Nominal impedance	4 / 8	[ohm]
Recommended upper frequency limit	3,500	[Hz]
Sensitivity, 2.83V/1m, (average 200-2,000Hz)	89 / 86.5	[dB]
Voice coil diameter	32.5	[mm]
Voice coil height	11	[mm]
Air gap height	5.0	[mm]
Voice coil resistance, RDC	3.2 / 6.3	[ohm]
Voice coil inductance	0.22 / 0.34	[mH]
Magnet weight (dual neodymium)	400	[g]
Effective radiating area, Sd	95	[sq.cm]
Power handling, continuous, IEC 268-5	60	[W]
Resonance freq., Fs	59 / 64	[Hz]
Moving mass, incl. air	9.75 / 9.0	[g]
Force factor, Bxl	5.0 / 6.1	[Tm]
Mechanical Q, Qm	7.2 / 7.6	-
Electrical Q, Qe	0.46 / 0.61	-
Total Q, Qt	0.42 / 0.57	-
Suspension compliance, Cms	0.74 / 0.70	[mm/N]
Equiv. air volume, Vas	9.6 / 9.0	[lit.]
Total unit net weight	1.05	[kg]



WF138WA02 frequency response



WF138WA04 frequency response

Specifications are subject to change without any further notice. Copyright © 2006-2014 by Wavecor Ltd., Guangzhou, China. All rights reserved.

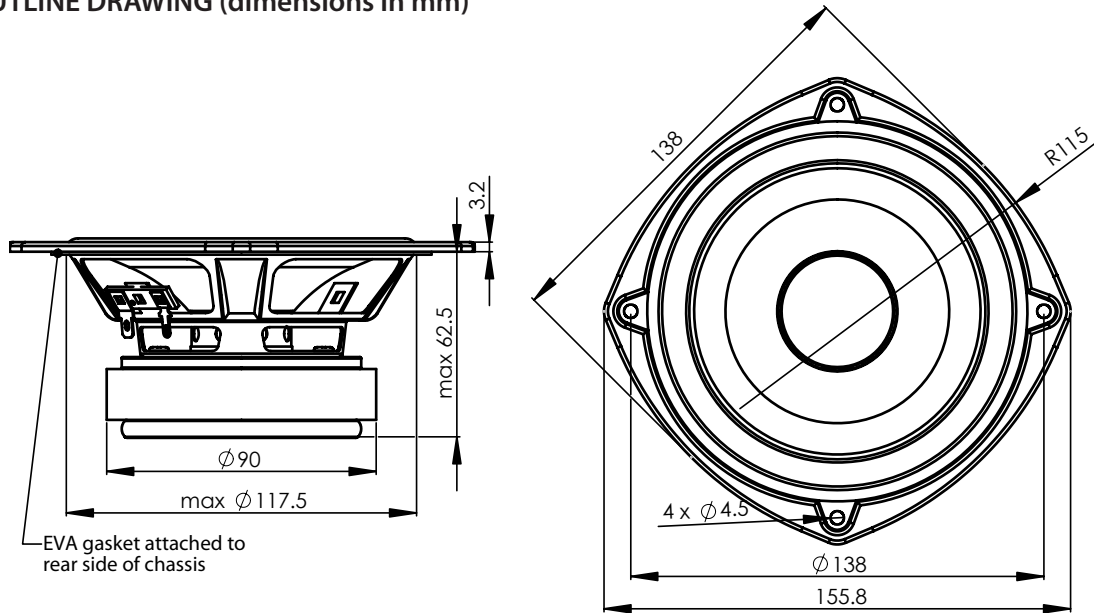
Wavecor® is a registered trademark of Wavecor Ltd.

For more information please visit www.Wavecor.com

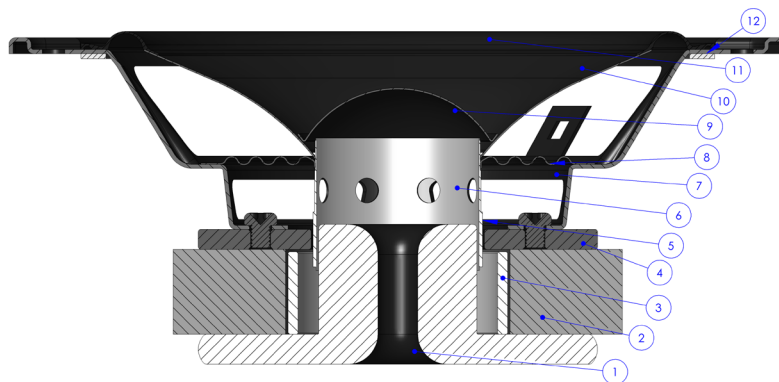
SPECIFICATIONS

WF138WA02 / WF138WA04, 5½" mid/woofers

OUTLINE DRAWING (dimensions in mm)



CROSS SECTION



1. Black anodized T-yoke with dual flares
2. Ø90mm magnet
3. Alu field-stabilizing ring
4. Black anodized top plate
5. 1¼" voice coil
6. Black glass fiber bobbin
7. Ventilated chassis
8. Linear lower suspension (spider), Conex
9. Paper dust cover
10. Optimized paper cone
11. Linear low-loss rubber suspension
12. Pre-attached EVA gasket

June 9, 2014