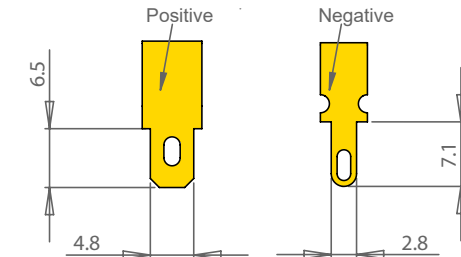
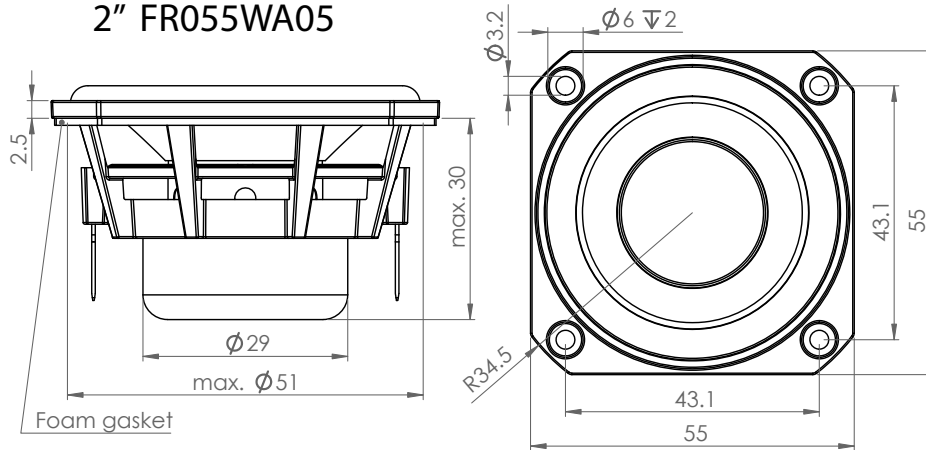


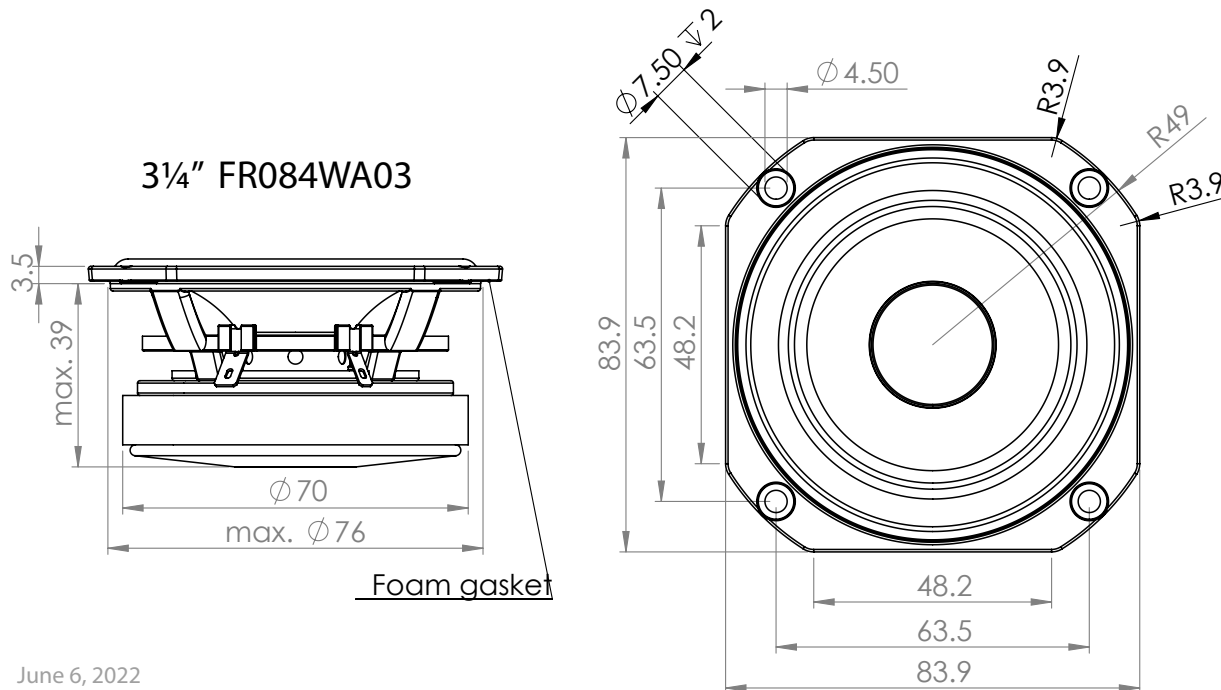
FR055WA05 and FR084WA03 outline drawing and nominal dimensions

2" FR055WA05



Terminal thickness: 0.5 mm  
Terminal plating: Gold

3 1/4" FR084WA03



June 6, 2022