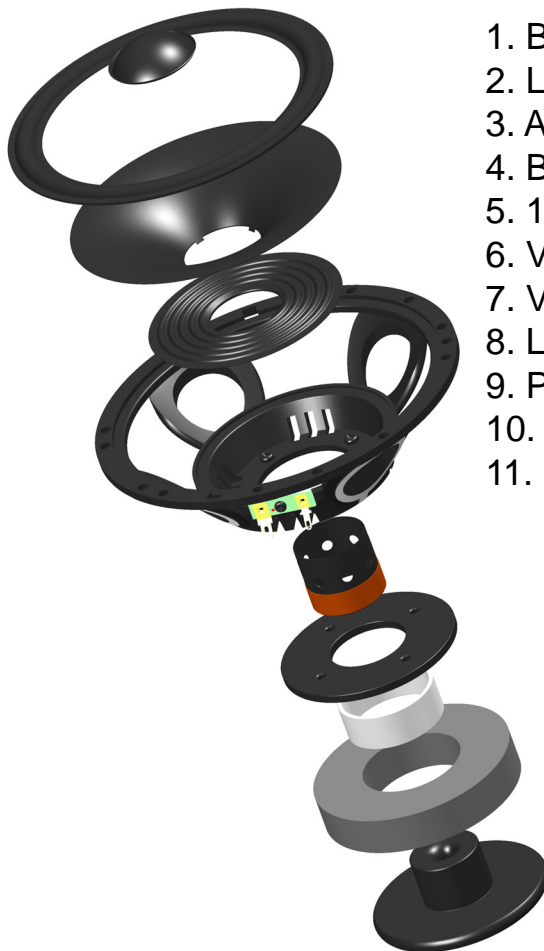
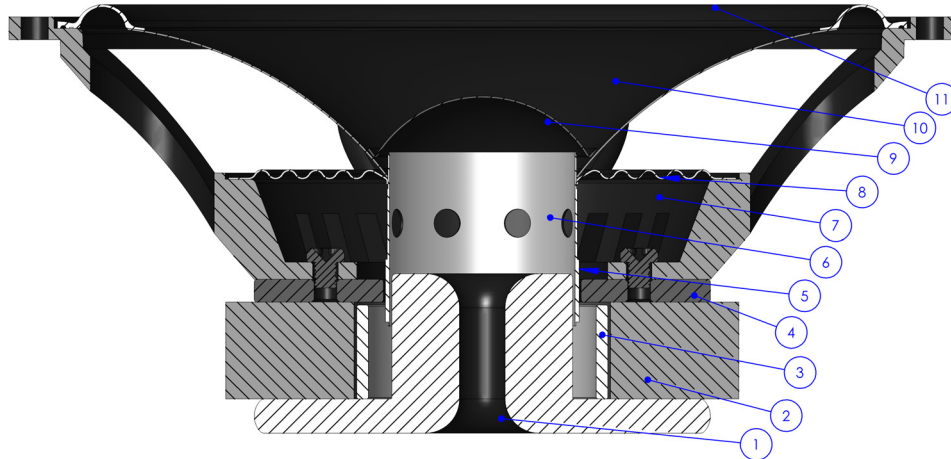


WF165TU02 6½" mid/woofer



1. Black anodized T-yoke with dual flares
2. Large 90mm magnet
3. Alu field-stabilizing ring
4. Black anodized top plate
5. 1¼" copper-clad alu-wire voice coil
6. Very rigid, ventilated, black glass fiber bobbin
7. Ventilated chassis
8. Linear lower suspension (spider), Nomex
9. Paper dust cover
10. Optimized paper cone
11. Linear low-loss rubber suspension