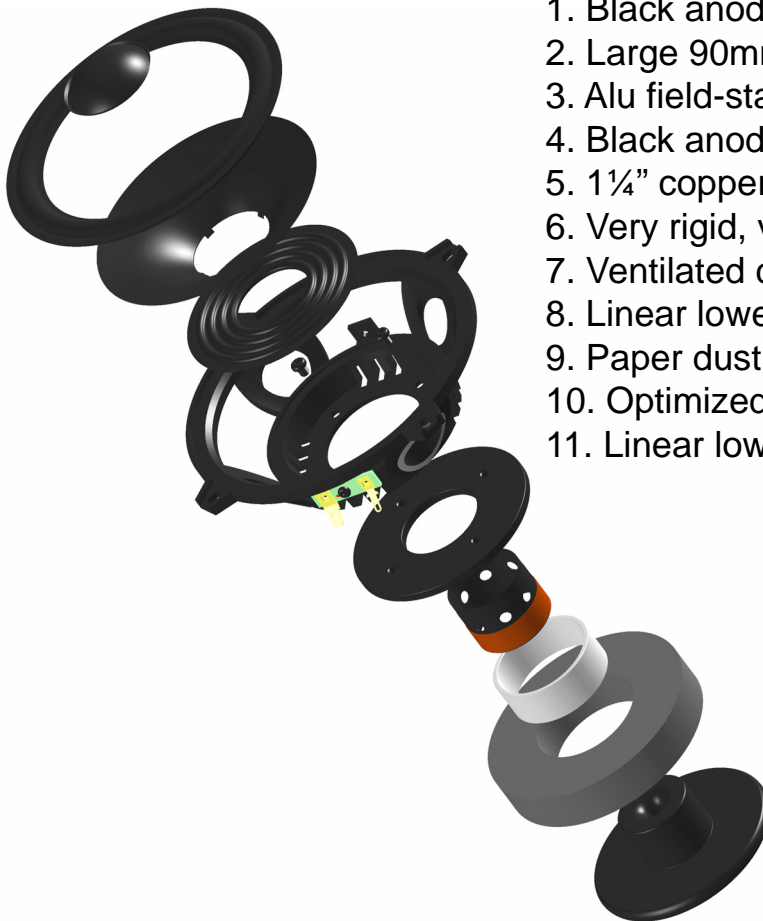
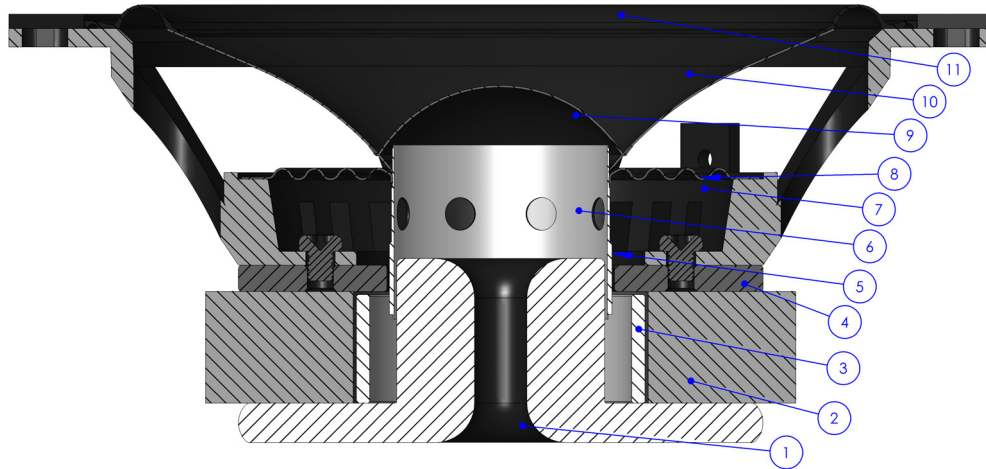


WF132TU02 5¼" mid/woofer



- 1. Black anodized T-yoke with dual flares
- 2. Large 90mm magnet
- 3. Alu field-stabilizing ring
- 4. Black anodized top plate
- 5. 1¼" copper-clad alu-wire voice coil
- 6. Very rigid, ventilated, black glass fiber bobbin
- 7. Ventilated chassis
- 8. Linear lower suspension (spider), Nomex
- 9. Paper dust cover
- 10. Optimized paper cone
- 11. Linear low-loss rubber suspension