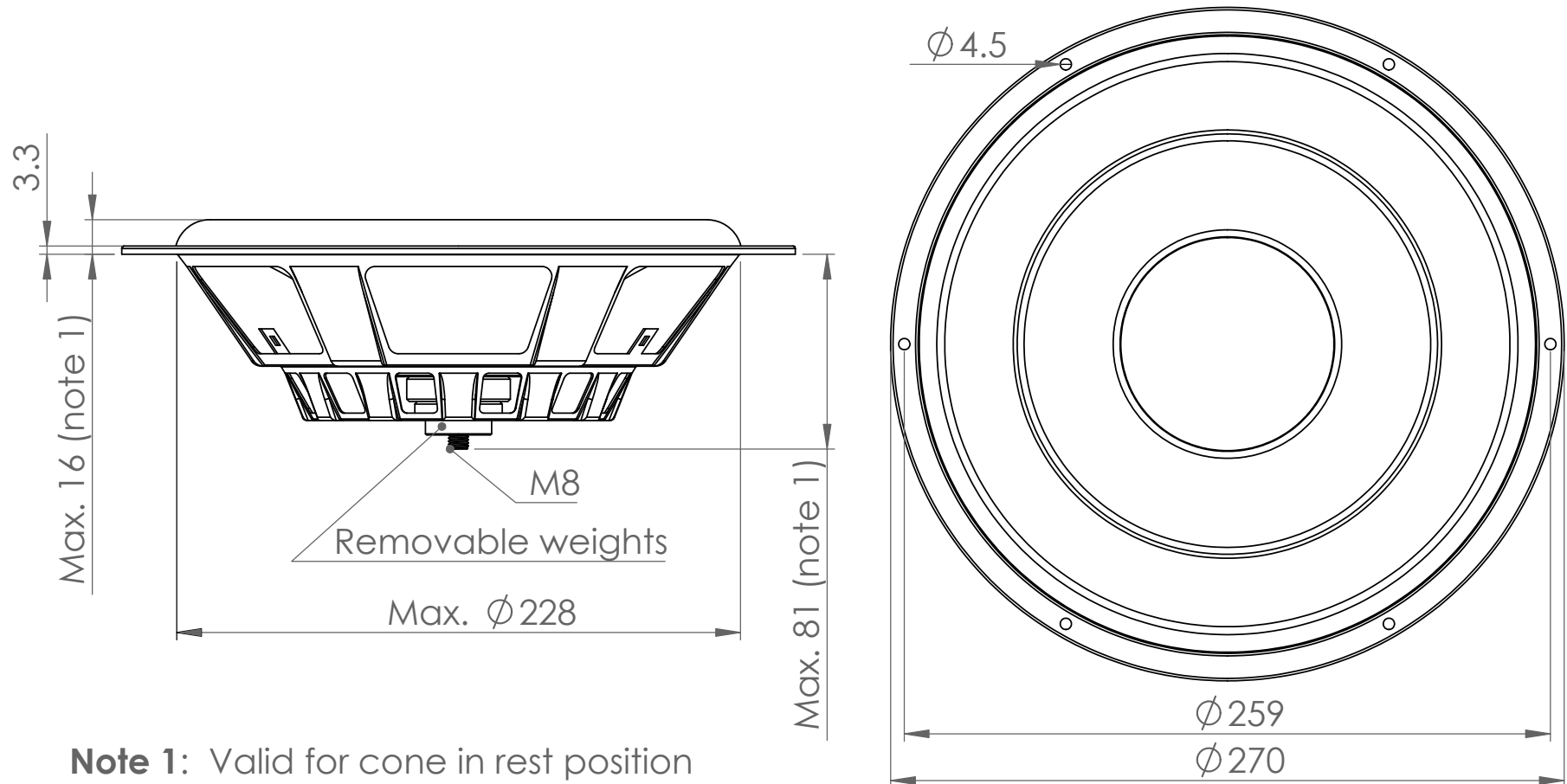


## PR270WA01 outline drawing and nominal dimensions

Apr. 27, 2014

Dimensions in mm



**Note 1:** Valid for cone in rest position