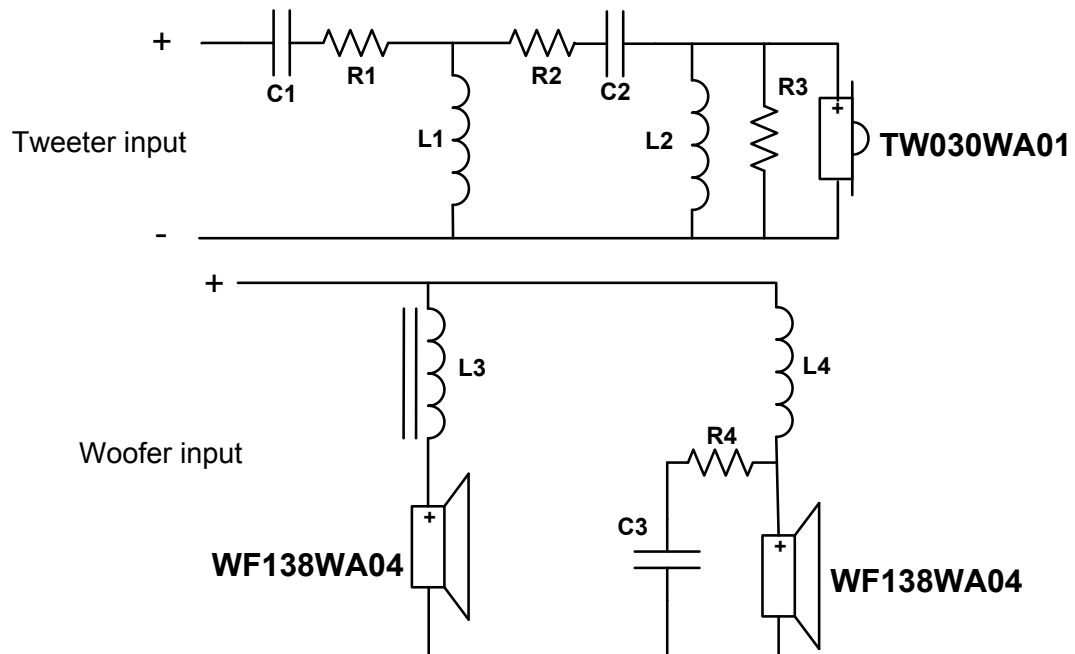


Evaluation Kit 2 crossover



Wavecor Property

This document and its content is the property of Wavecor Ltd., GuangZhou, P. R. China.
 Copyright © 2008 by Wavecor Ltd. All rights reserved.
 The designs covered by this document may be copied for personal use only. No commercial use is allowed without written permission by Wavecor Ltd.

Crossover BOM

<u>Component</u>	<u>Value</u>	<u>Description</u>
R1	0.82ohm/5W	Power resistor, wire wound, non-inductive
R2	3.9ohm/5W	Power resistor, wire wound, non-inductive
R3	27ohm/5W	Power resistor
R4	3.3ohm/10W	Power resistor
C1	10uF/250V	Metalized polypropylene capacitor
C2	22uF/100V	Metalized polypropylene capacitor
C3	22uF/160V	Bipolar electrolyte
L1	0.33mH/0.45ohm	Air core inductor
L2	0.22mH/3.0ohm	Air core inductor
L3	5.6mH/0.7ohm	Ferrite core inductor
L4	0.56mH/0.25ohm	Air core inductor